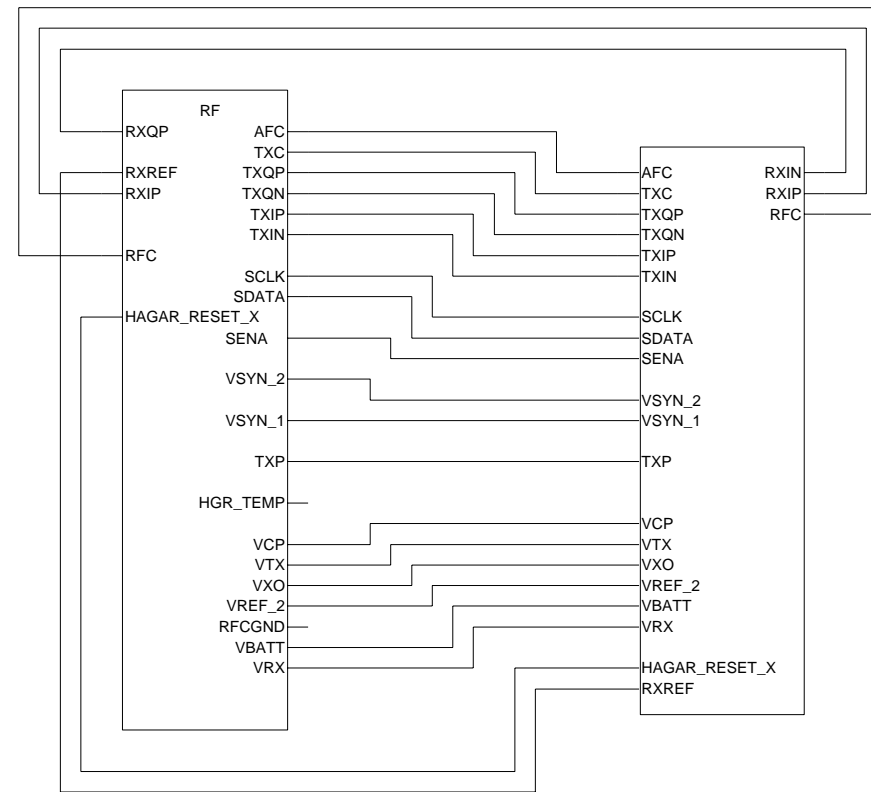


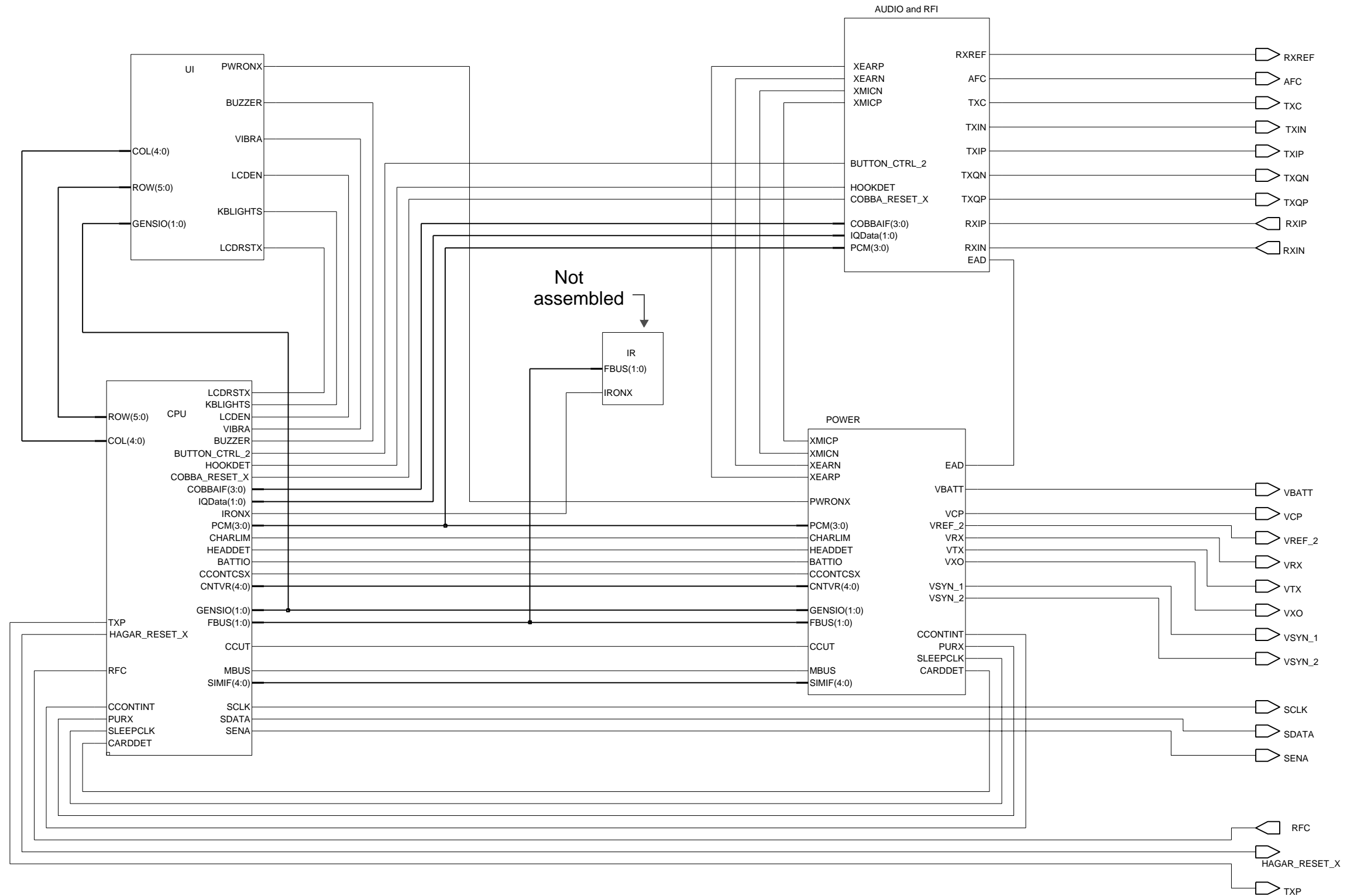
RF & BB

RF

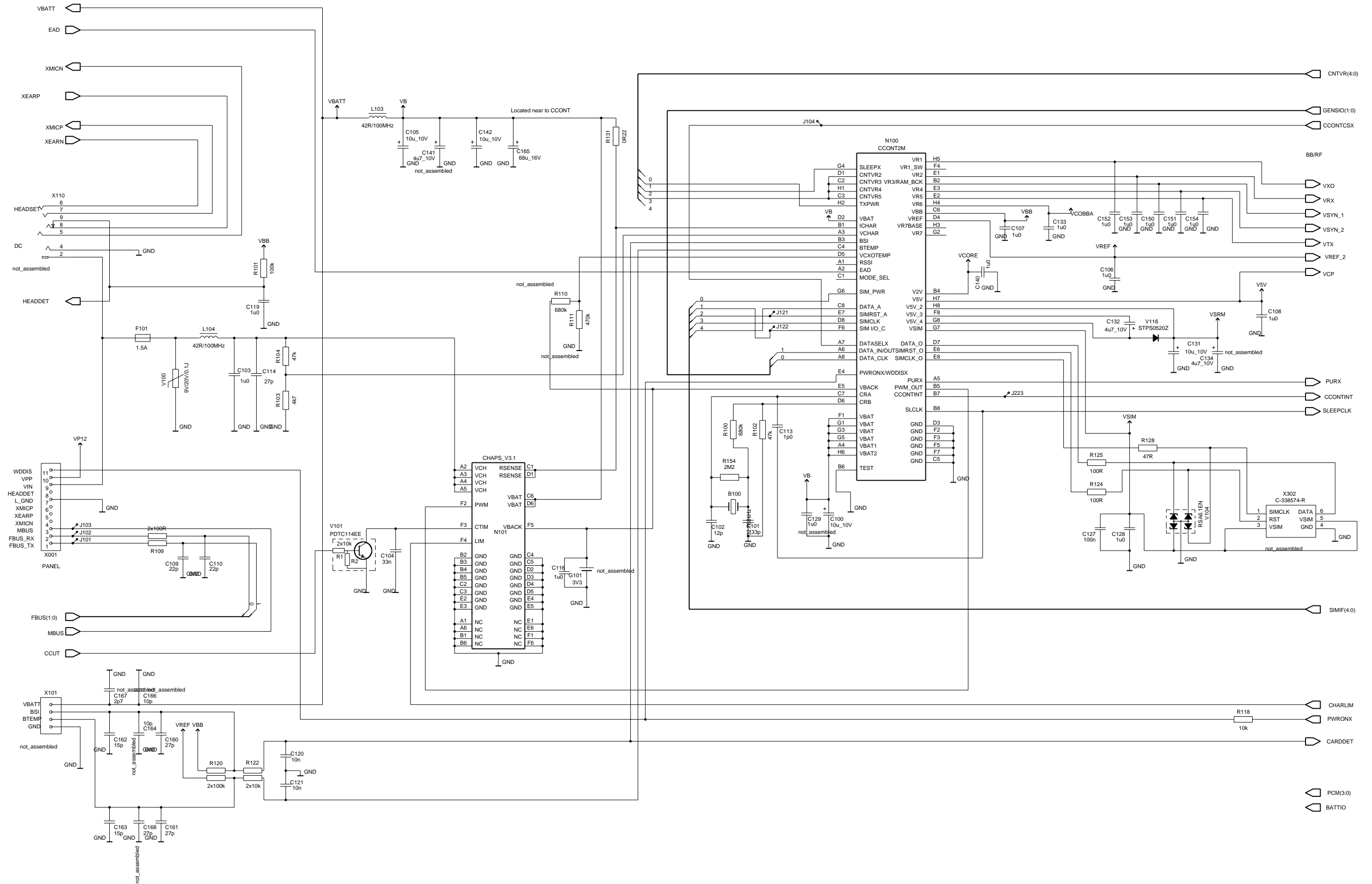
BASEBAND



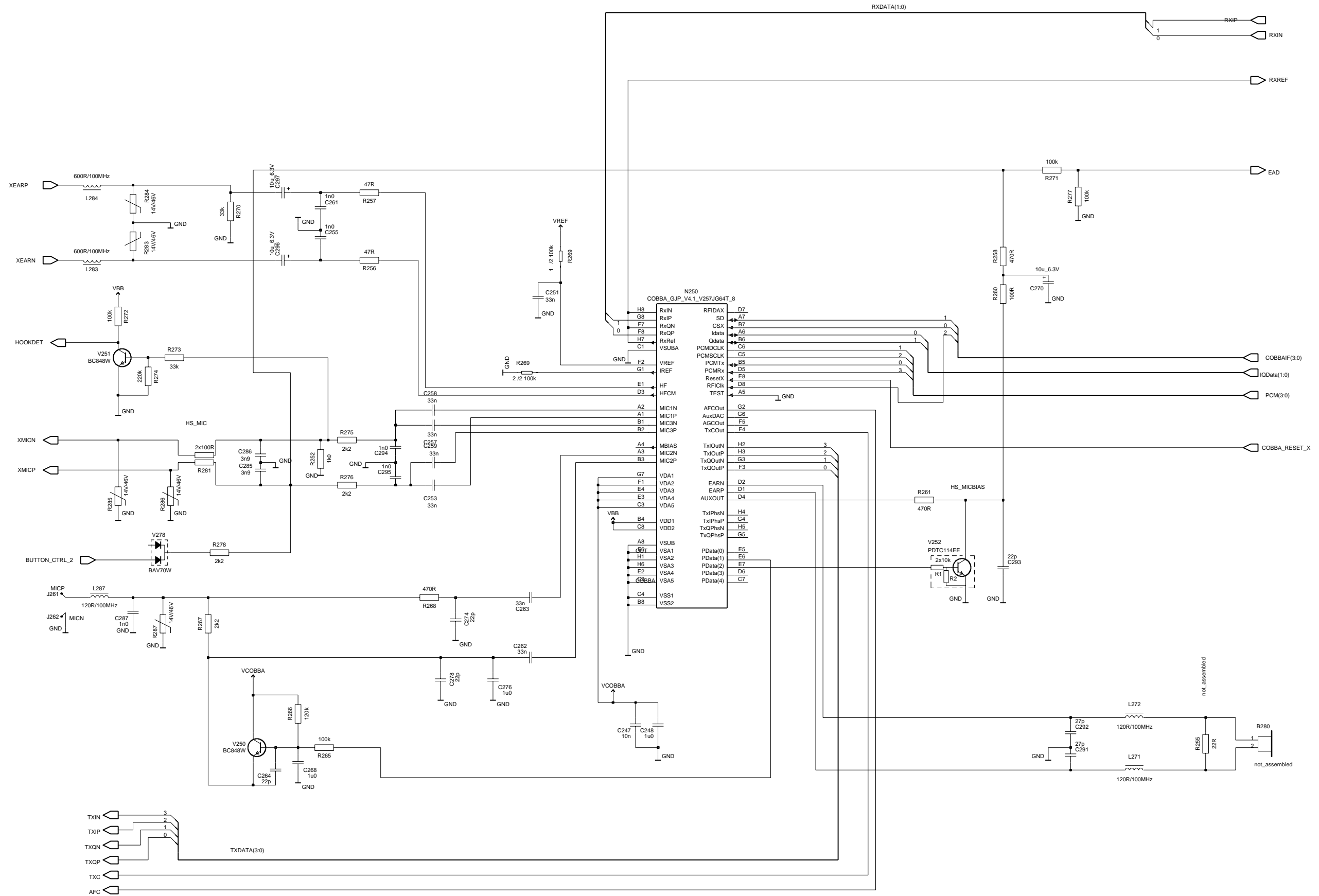
BB Block Connections



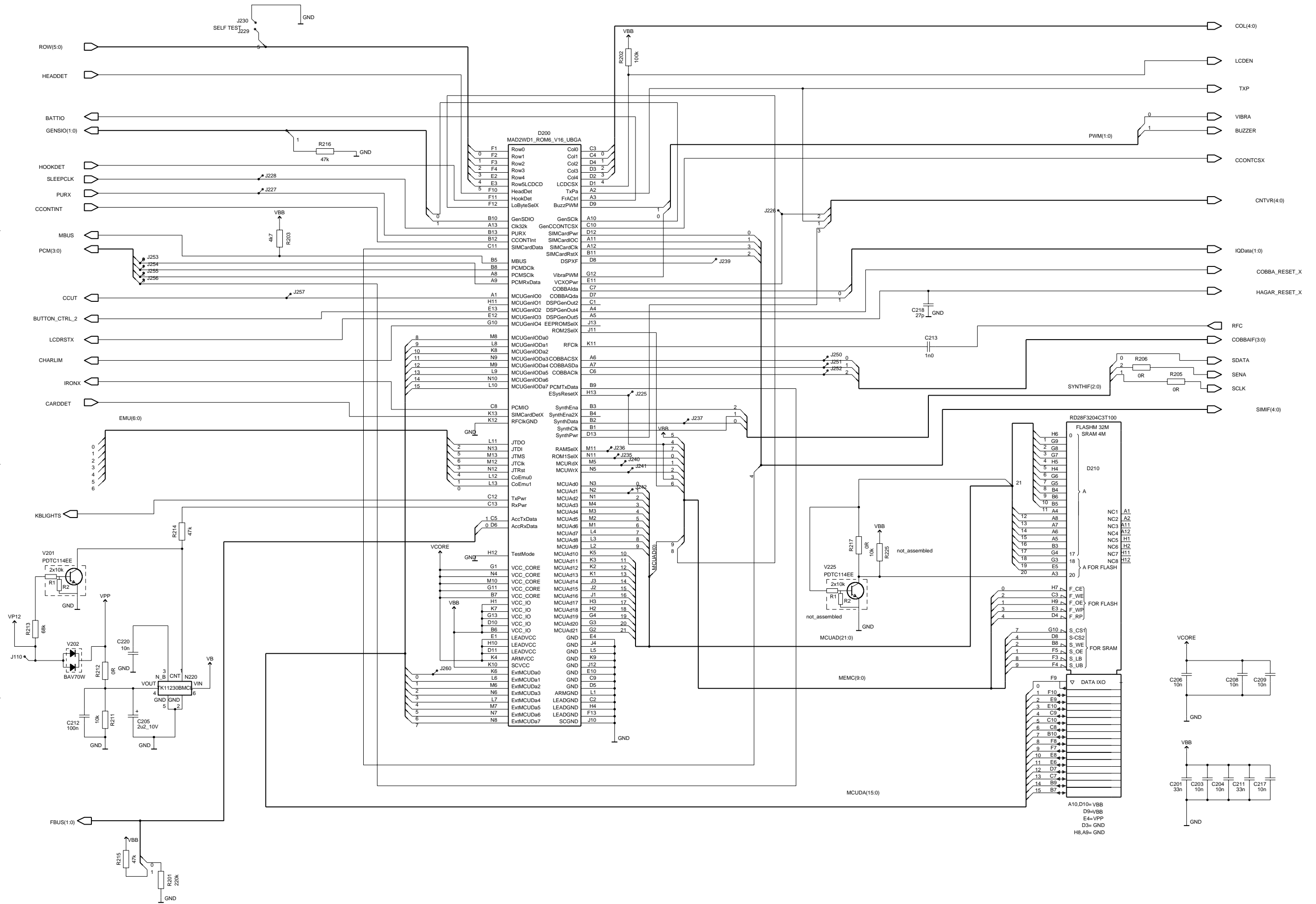
Power Supply and Charging



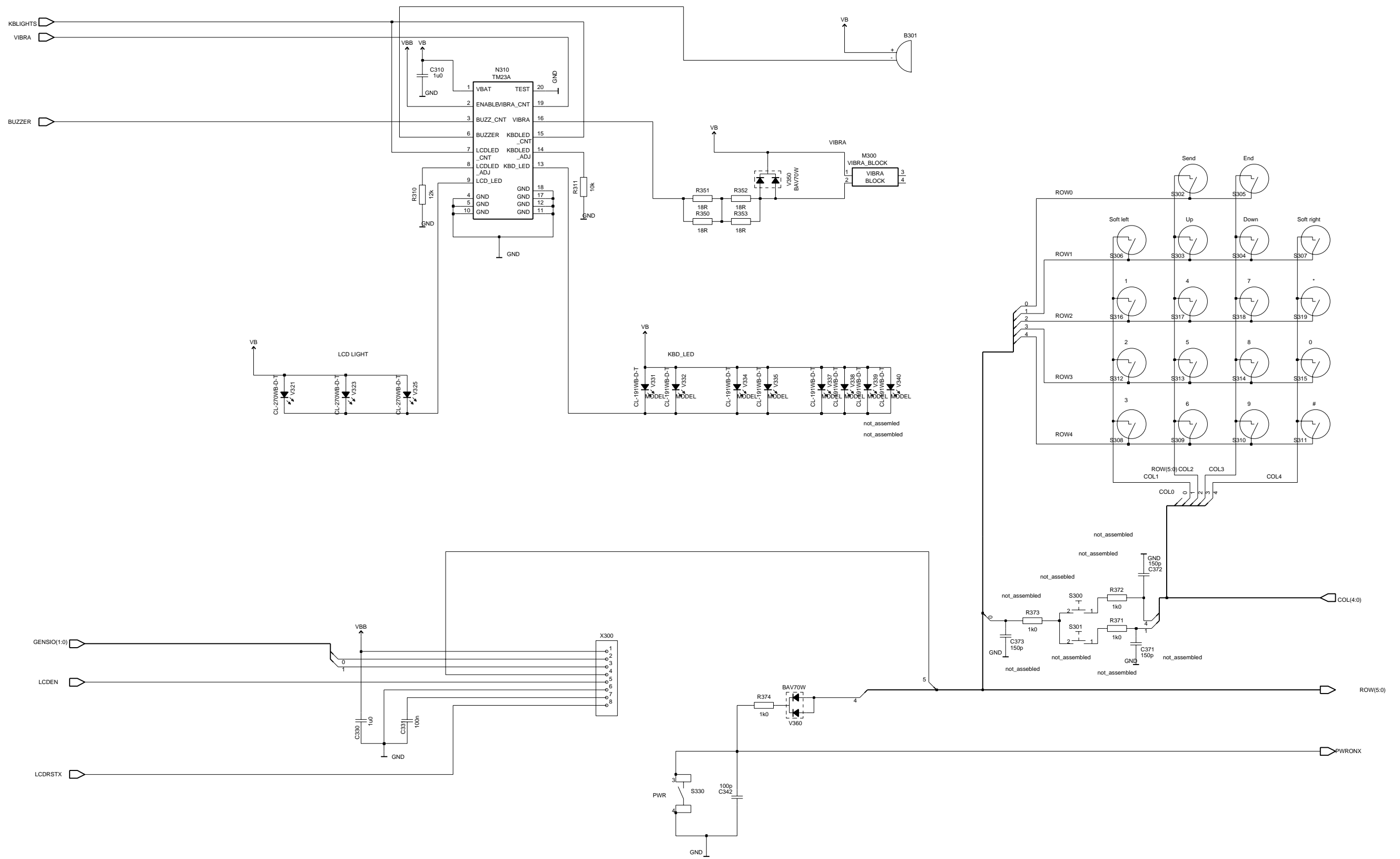
Audio and RFI



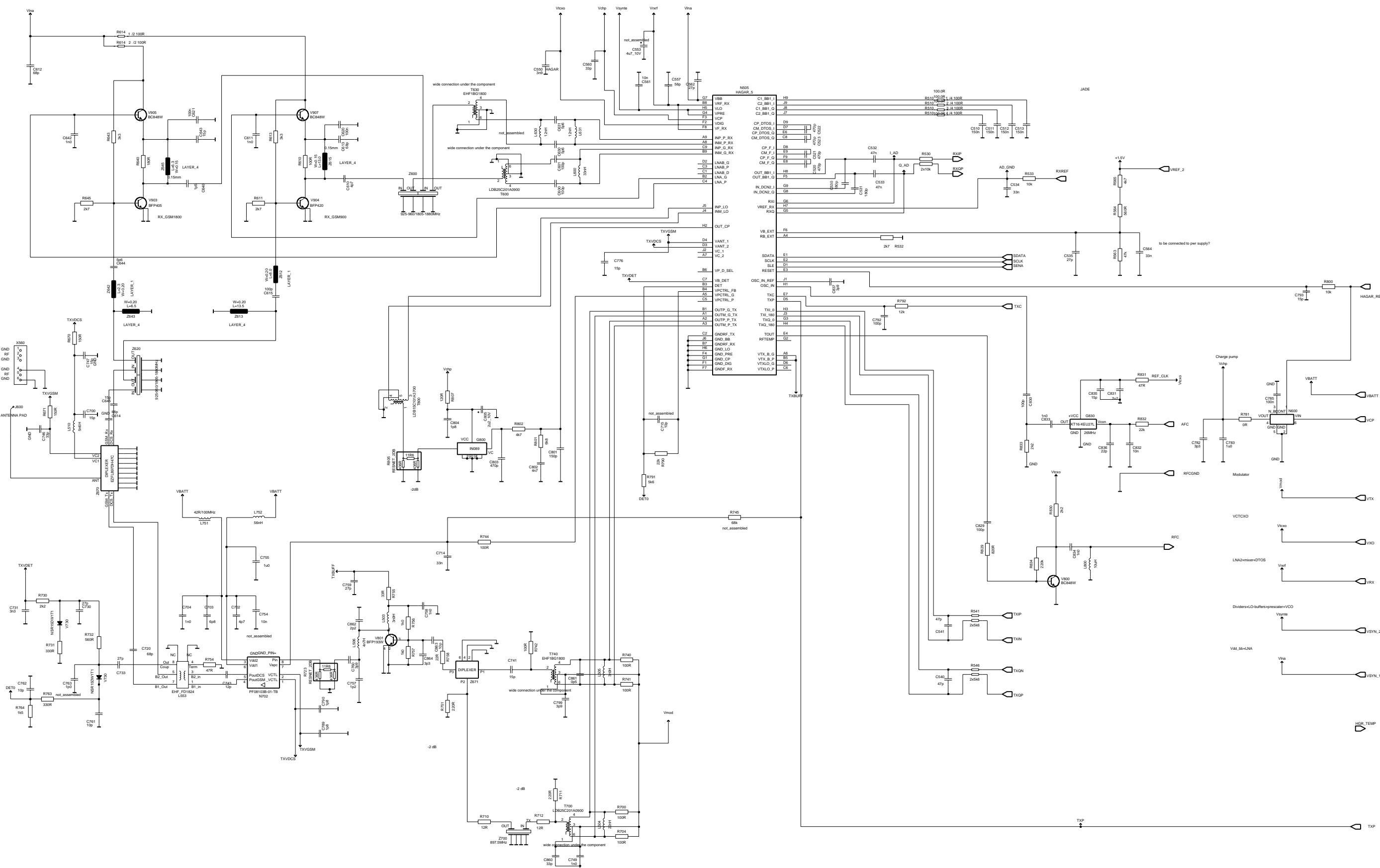
CPU



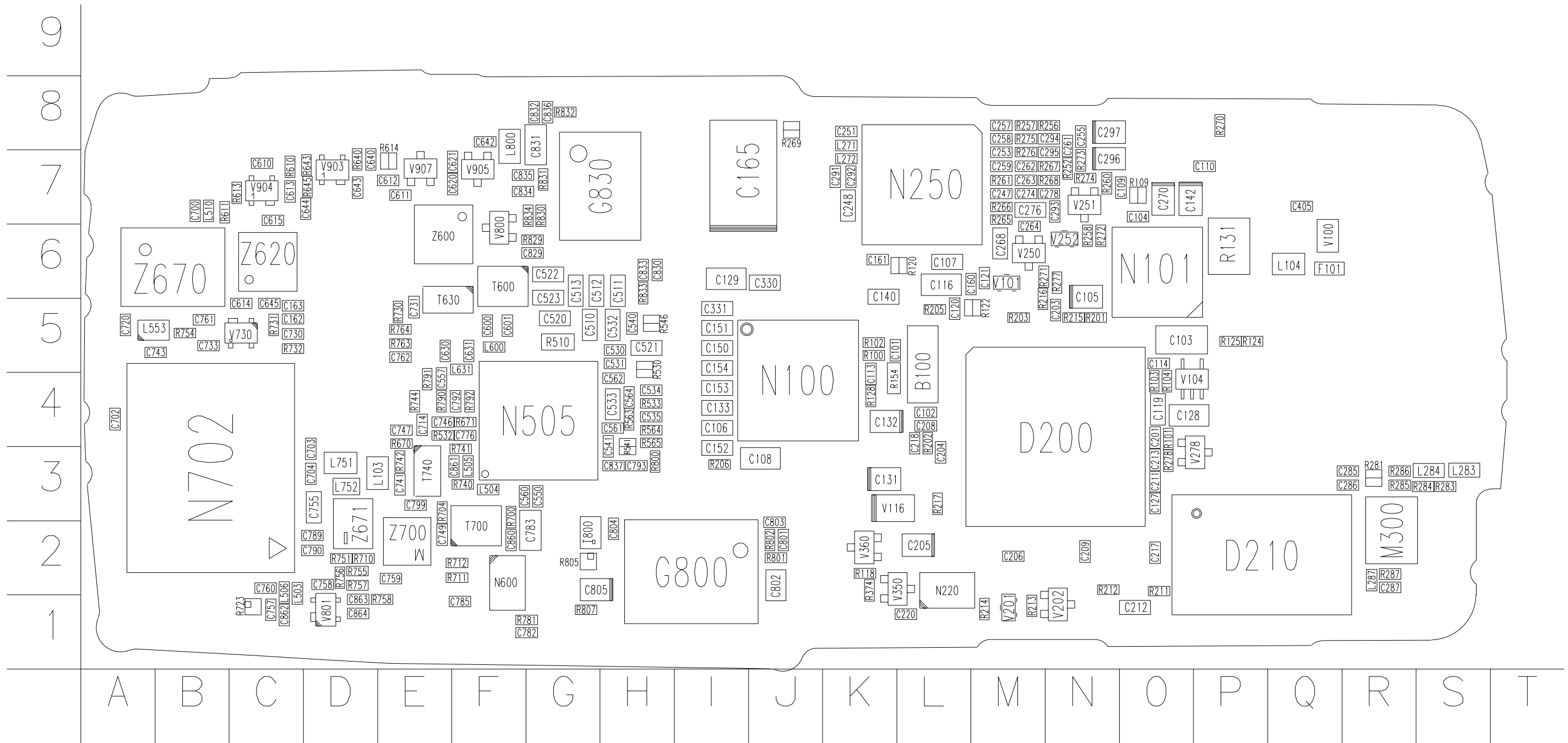
UI



RF

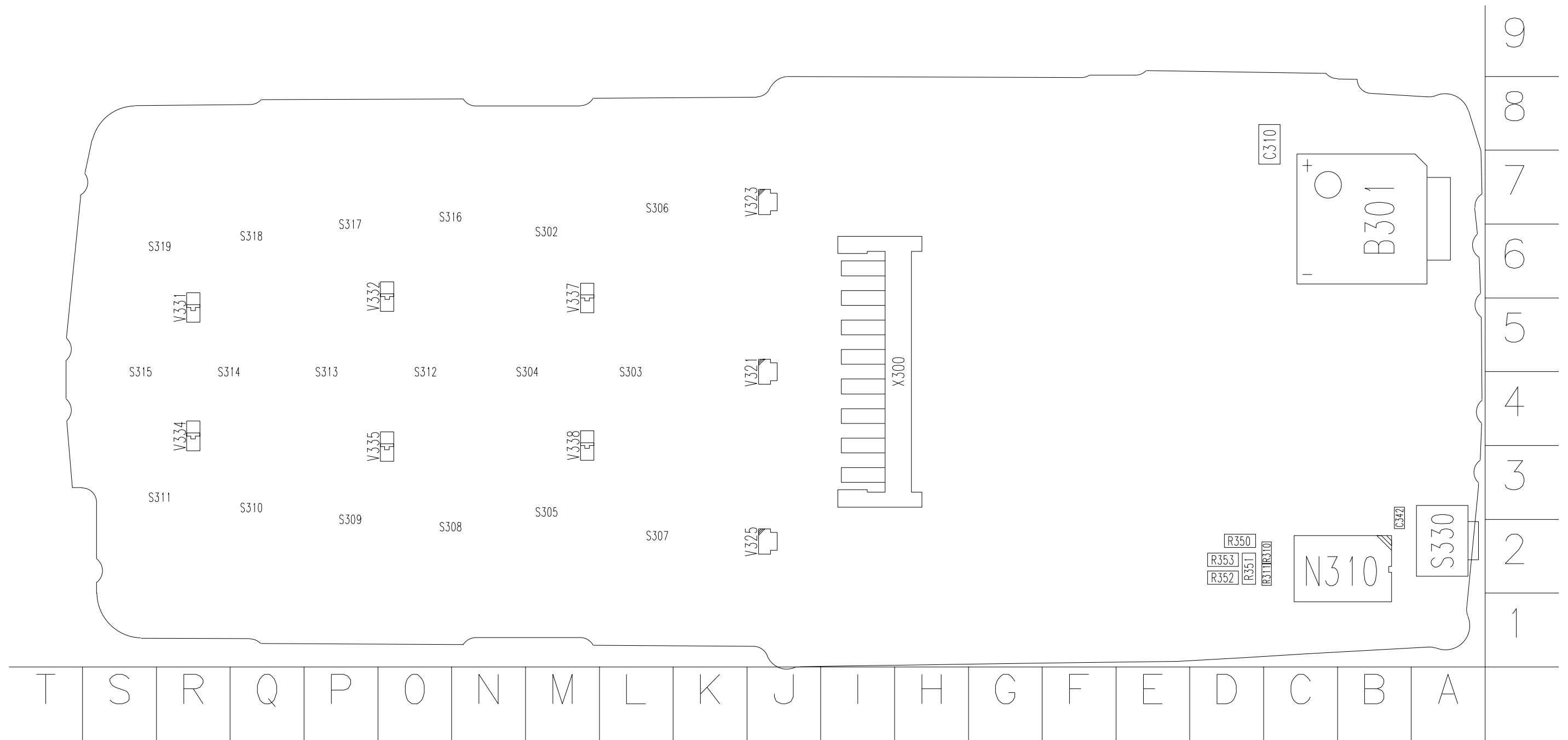


Layout Diagram of DF8 - Top





Layout Diagram of DF8 -Bottom



This page was intentionally left blank